



experience,
trust, service

2006 PARTS GUIDE
Effective: April 1st, 2006



Blast Machine
6.0
cu/ft

see page 54



Blast Machine
3.0
cu/ft

see page 56



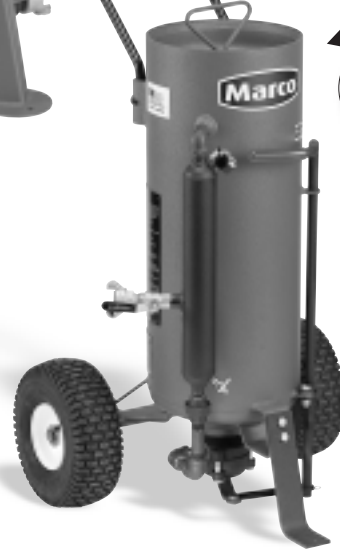
Blast Machine
.15
cu/ft

see page 68



Blast Machine
.35
cu/ft

see page 66



Blast Machine
1.5
cu/ft

see page 64



Bullard® MB30* Respirator

Exclusively Distributed by Marco!

The MB30 is a light duty, supplied air respirator providing excellent respiratory protection in general purpose applications such as: painting, glass etching, monument blasting, automotive and aircraft body repair, architectural, furniture and ornamental paint removal. *See page 9 for more MB30 information.



MB30 Respirator w/F30B Constant Flow
- for use with High Pressure - see page 9

Terms and Conditions

Marco will fulfill orders solely upon the terms set forth below. These terms and conditions shall supersede any provisions, terms and conditions contained on any purchase order, confirmation or other writing Buyer may give or receive which are hereby deemed rejected, and the rights of the parties shall be governed exclusively by the provisions, terms and conditions hereof. Marco makes no representations or warranties concerning products ordered except such as are expressly contained herein, and these terms may not be changed or modified orally.

1. Changes in Price, Terms. While we strive to provide advance notification, all policies, products, product designs, prices and vendor representations are subject to change without notice. For current pricing and delivery arrangements, please call your account manager.

2. Terms of Payment. With approved Credit, terms are: Cash net 30 days from the date of shipment. Payments not made when due shall bear interest at the rate of eighteen percent (18%) per annum, compounded monthly, or the rate permitted by law, whichever is greater. Except as provided herein or upon the express written authorization of Marco, payment due hereunder shall not be subject to any reduction or offset of any kind. Shipment shall be by Marco's regular method of shipment, unless special arrangements are made by Buyer. Unless otherwise stated in this catalogue, all prices are F.O.B. origin. Identification of the goods to the contract shall occur as each shipment is placed in the hands of the carrier. Orders are subject to a \$5.75 handling charge. Contact your account manager regarding freight paid order eligibility.

3. Delays. Delivery shall be subject to, and contingent upon, strikes, labor difficulties, riot, civil unrest, war, fire, delay or defaults of common carriers, failure or curtailment in Marco's usual sources of supply, governmental decrees or orders, or, without limiting the generality of the foregoing, any other delays beyond Marco's reasonable control, and Marco shall not be liable for any loss or damage arising therefrom, even if Marco has been informed of the possibility of such damages.

4. Warranties. Marco warrants that the products it manufactures will be free from defects in material and workmanship for a period of one (1) year from the date of shipment to the Buyer. Goods other than those manufactured by Marco will be subject to the original equipment manufacturer's warranty in effect at the time of shipment.

5. Claims of Damage/Warranty Service. Buyer must report non-conforming merchandise or shortages to Marco within three (3) days of Buyer's discovery thereof, by written notice setting forth the specific respects in which the products fail to meet the applicable warranty. Upon receipt of such notice, Marco will, at its option, either modify or correct the non-conformity, replace the product with a conforming product, or refund the amount paid for the non-conforming product, any one of which will entirely satisfy Marco's obligations under any warranty which Marco makes. The foregoing shall constitute Buyer's sole and exclusive remedy for breach of any warranty made by Marco. This remedy shall not be deemed to have failed of its essential purpose so long as Marco is willing to repair the product, replace it, or refund the purchase price, provided that the product is under warranty.

6. Disclaimer of Warranties. MARCO MAKES NO WARRANTIES WITH RESPECT TO ANY GOODS DELIVERED TO BUYER EXCEPT AS SET FORTH ABOVE. MARCO MAKES NO IMPLIED WARRANTIES OF MERCHANTABILITY OR FITNESS FOR A PARTICULAR PURPOSE WITH RESPECT TO ANY OF THE GOODS, AND MARCO EXPRESSLY DISCLAIMS ANY IMPLIED WARRANTIES AGAINST INFRINGEMENT. MARCO'S WARRANTIES SHALL NOT APPLY TO ANY DAMAGE OR NON-CONFORMITY RESULTING FROM THE NEGLIGENT OR IMPROPER ASSEMBLY OR USE OF ANY GOODS BY THE BUYER OR ITS EMPLOYEES OR AGENTS, OR FROM ALTERATION OR ATTEMPTED REPAIR BY ANY PERSON OTHER THAN AN AUTHORIZED AGENT OF MARCO OR THE ORIGINAL EQUIPMENT MANUFACTURER. ALL USED, REPAIRED, MODIFIED OR ALTERED ITEMS ARE PURCHASED AS-IS AND WITH ALL FAULTS.

7. Limitation of Liability. In no event shall Marco be liable for any incidental or consequential damages, including loss of income or profit, even if Marco has been informed of the possibility of such damages.

8. Returns And Credit. Goods must be thoroughly examined prior to accepting delivery. Concealed damage must be reported to the carrier within thirty-six (36) hours of delivery. Do not discard any packaging material and report non-conforming merchandise or shortages to Marco within three (3) days of receipt of shipment. Marco will not accept returns without written authorization. All returns require a Customer Authorization Return (CAR) Number and are subject to a twenty percent (20%) restocking charge. Goods returned (except pursuant to warranty) must be new and in saleable condition. Costs incurred to repair goods returned in unsaleable condition (except for warranty service) will be deducted before any credit is issued. All returns except those pursuant to warranty must be shipped freight prepaid. (The twenty percent (20%) restocking charge applicable to returns made outside of warranty will be waived if: 1) the product is returned within one full year from the date of purchase; 2) an offsetting order of equal or greater value has been placed; 3) the product is returned in its unopened, original packaging, and the product is not obsolete, custom produced or otherwise nonsaleable.)

Credit & Collection Agreement

Unpaid balances are subject to 1.5% per month charge. Legal, travel, lodging and all other expenses, related to collecting unpaid balances, will be added to amount owed.

Operator Safety

Do not use, rent or sell items shown in this parts guide until you have read all applicable instructions, warnings and Operator Manuals. The complete operational understanding, of all items in this parts guide is the sole responsibility of the purchaser. Failure to comply may expose persons to sever injury or death.

WARNING: Silicosis Warning

Breathing dust from silica sand causes silicosis, a fatal lung disease. Breathing dust during blasting operations may also cause asbestosis and/or other serious or fatal diseases. A NIOSH approved, well-maintained supplied-air abrasive blasting must be used by anyone blasting, anyone handling or anyone using the abrasive and anyone in the area of the dust. Harmful dust containing toxic material from abrasive or surface being blasted (asbestos, lead paint, heavy metal paint and other toxins) can remain suspended in the air for long periods of time after blasting has ceased. Follow all applicable OSHA standards.

Indemnification Agreement

Buyer agrees, to the fullest extent permitted by the law, to fully indemnify, hold harmless, and defend Seller, its parent, subsidiary, and affiliated corporations, its owners, officers, directors, employees, agents, representatives and insurers (collectively, "Indemnities") from and against any and all claims, demands, suits, damages, judgments of sums of money, losses and expenses, including but not limited to attorney's fees and costs (collectively referred to herein as "Claims"), arising out of or resulting from any bodily injury, sickness, disease or death, or injury to or destruction of tangible property, arising out of or resulting from the use, sale or distribution of any and all products purchased from Seller by Buyer herein, regardless of whether or not such claim arises in whole or in part out of Seller's alleged fault, including but not limited to Seller's negligence, strict liability, products liability, breach of warranty or any other act or omission. Buyer expressly waives any and all immunity from suit by Seller, its parent, subsidiary, and affiliated corporations, and its owners, officers, directors, employees, agents, representatives and insurers, by operation of any workers' compensation or similar statute. **Your purchase of any products from Marco signifies your unqualified consent to and agreement with the foregoing indemnities.**

Built for Power

6.0 cu/ft Blast Machine

FEATURES AND COMPONENTS

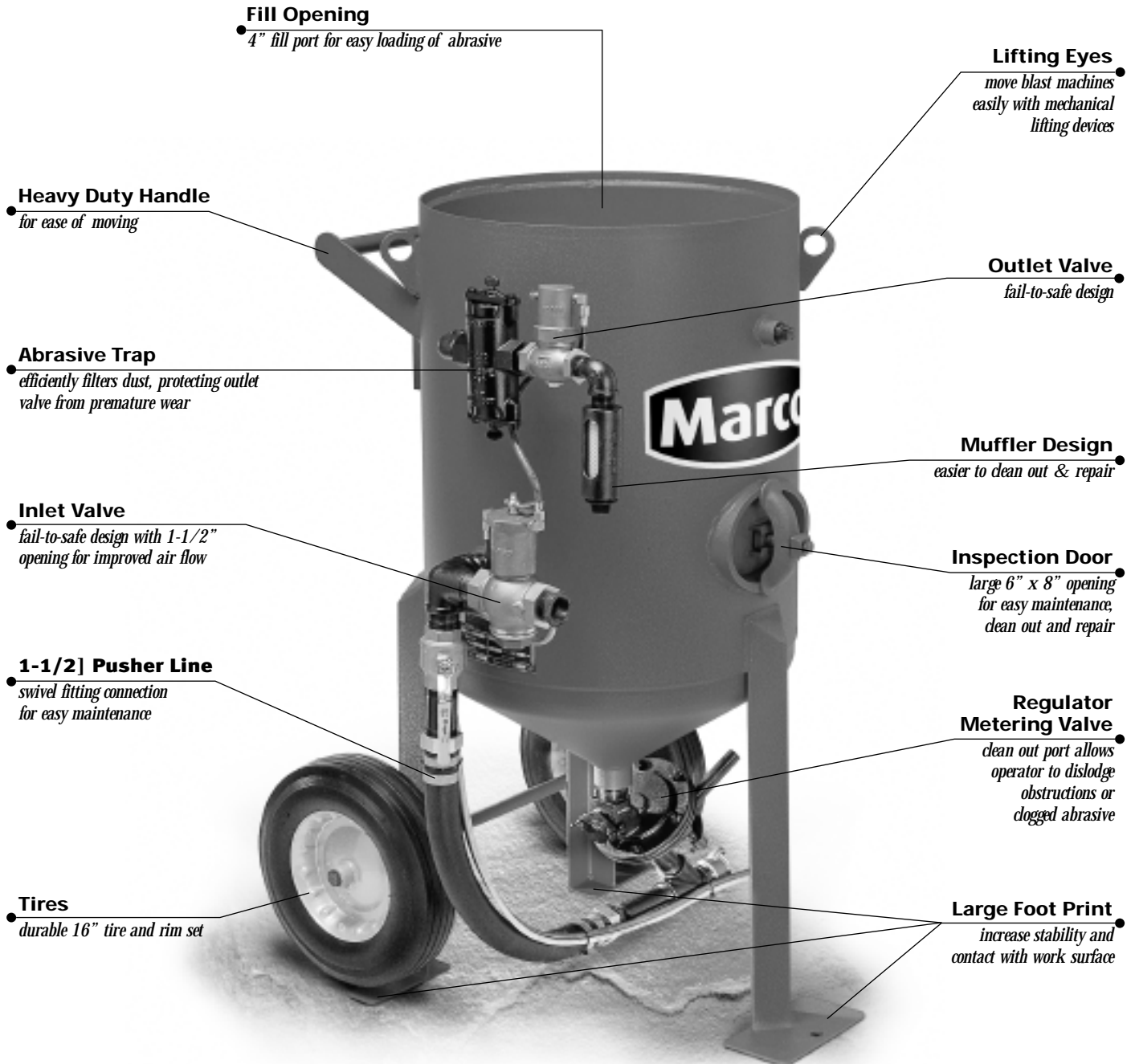


Table of Contents

- ▶ Terms & Conditions i
- ▶ Credit & Collection Agreement, Operator Safety, Silicosis Warning and Indemnification Agreement ii

Section 1: Respirators

- ▶ Respirators Index 5
- Bullard® 88VX Respirator 6
- Bullard® Lancer™ Respirator 7
- Bullard® 20-T Series Respirators 8
- Bullard® FAMB Half-Mask Respirator 9
- Bullard® MB-30 Respirator 9
- Bullard® Spectrum™ Respirator 10
- Bullard® Hard Hats 11
- Bullard® Quick Reference Guide 12-13
- Bullard® Breathing Line 14
- Air Conditioning, Climate Control, Dual-Cool™ Vest & ISOTHERM Vest 15
- Clemco® Apollo 60 Respirator 16
- Clemco® Quick Reference Guide 17

Section 2: Air Monitoring, Filtration and Ambient Air Pumps

- ▶ Air Monitoring, Filtration and Ambient Air Pumps Index 19
- Marco® 286 Airline Filters 20-21
- Clemco® Airline Filters 22-23
- Fortress Respiratory Protector 24
- Van-Air Pre-Filters for Barricade & Fortress 24
- Barricade® Carbon Monoxide Monitors 25
- Bullard® Ambient Air Pumps 26-27
- Dust Collector Filter Cartridges 28

Section 3: Hoses and Couplings

- ▶ Hoses and Couplings Index 29
- 1/2" I.D. Blast Hose, Couplings, Nozzle Holders & Hose Ends 30
- 3/4" I.D. Blast Hose, Couplings, Nozzle Holders & Hose Ends 31
- 1" I.D. Blast Hose, Couplings, Nozzle Holders & Hose Ends 32
- 1-1/4" I.D. Superflex Blast Hose, Couplings & Nozzle Holders 33
- 1-1/4" I.D. Blast Hose, Couplings & Nozzle Holders 34
- 1-1/2" I.D. Blast Hose, Couplings & Nozzle Holders 35
- 2" I.D. Blast Hose, Couplings & Nozzle Holders 36
- Blast Hose Accessories 37
- 3/4" I.D. Air Hose & Air Hose Couplings 38
- 1" I.D. Air Hose & Air Hose Couplings 38
- 1-1/4" I.D. Air Hose & Air Hose Couplings 38
- 1-1/2" I.D. Air Hose & Air Hose Couplings 39
- 2" I.D. Air Hose & Air Hose Couplings 39
- 3" I.D. Air Hose & Air Hose Couplings 39
- Air Hose Gaskets & Accessories 40
- Additional Air Hoses & Accessories 40
- Dust Collector Ducting Hose & Accessories 41
- Vacuum Hose & Accessories 42

Table of Contents

Section 4: Nozzles

- ▶ **Nozzles Index** **43**
- Nozzles 44-45
- Air, Sand & Power Requirements 46
- Ceramic Nozzles, W.I.N. Nozzles & Boron Carbide Nozzles 47
- Contender Boron Carbide Nozzles 48-49
- Water Ring 50
- Nozzle Accessories 50
- Wetblast Injector Adapter 51

Section 5: Blast Machines and Accessories

- ▶ **Blast Machines and Accessories Index** **53**
- 6 cu/ft Blast Machine with Regulator Valve without Remotes 54
- 6 cu/ft Blast Machine with Regulator Valve & Remotes 55
- 3 cu/ft Blast Machine with Regulator Valve without Remotes 56
- 3 cu/ft Blast Machine with Regulator Valve & Remotes 57
- 6 cu/ft Blast Machine Packages 58
- 3 cu/ft Blast Machine Packages 59
- 1.5 cu/ft Blast Machine Packages 60
- 6 cu/ft Blast Machine Configurations - MV & Regulator/Bantam/Maxum (urethane/tungsten) 61-62
- 3 cu/ft Blast Machine Configurations - MV & Regulator/Bantam/Maxum (urethane/tungsten) 62-63
- 1.5, .35 & .15 Blast Machine Configurations 63
- 1.5 cu/ft Blast Machines & Accessories 64-65
- .35 cu/ft Blast Machines & Accessories 66-67
- .15 cu/ft Blast Machines & Accessories 68-69
- KwikFire 153 Shut-off Control Handle 70
- Two-Hole Jr. Integrator Series Mixing Valve 71
- Two-Hole Sr. Integrator Series Mixing Valve 72
- Four-Hole Jr. Integrator Series Mixing Valve 73
- Clemco® Blast Machine Parts & Accessories Schematic 74
- 1 cu/ft Blast Machine 75
- Marco® Exhaust Muffler 76
- Nipples & Bushings 77
- Ball Valves & Tank Couplings 78
- Miscellaneous Blast Machine Parts 78
- The Regulator Metering Valve 79
- Gladiator Metering Valve - MV100 80
- Bantam Metering Valve 81
- Maxum Metering Valve 82-83
- GateKeeper 1", 1-1/4" & 1-1/2" Automatic Air Valve 84
- GateKeeper 2" Automatic Air Valve 85
- Viper Pinch Valve - PV400 86
- KwikFire 125 Pneumatic Remote System 87
- 1-1/2" Inlet Valve 88
- 1" Outlet Valve 89
- 1" Diaphragm Outlet Valve 90
- Abrasive Trap 91
- 1" Inlet Valve 92
- Tandem Valve 93

Table of Contents

Section 6: Remote Control Handles & Systems

- ▶ **Remote Control Handles & Systems Index** 95
- KwikFire 150 Pneumatic Remote Control Handle 96
- Pneumatic Remote Control Handles 97
- Abrasive Cut-off Switch 97
- KwikFire 158 Pneumatic Remote Control Handle 98
- Twinline & Twinline Hose Fittings 99
- KwikFire 155 & 156 Electric Remote Control Handles 100
- KwikFire 151 Electric Remote Control Handle 101
- Electric Remote Control Systems 102
- Conversion Kit - Normally Closed - Pneumatic to Electric 102
- Electric Remote Control Box 102
- Control Valves - Pneumatic & Electric 103
- Antifreeze Injector 104
- Neptune Moisture Separators 105
- Typhoon Moisture Separators 106
- Aftercoolers & Dry-O-Lite® Desiccant 106

Section 7: Lighting

- ▶ **Lighting Index** 107
- Galaxy 300 Hose Mountable Blast Light & Converter Box 108-109
- Galaxy 301 Hose Mountable Blast Light - Air Cooled & Converter Box 110-111
- Galaxy 302 Area Light 112
- Galaxy 303 Area Light with Floor Stand 113
- Galaxy 304 Hazardous-Duty Hand Light 114
- Galaxy 305 Hazardous-Duty Area Light with Cart 115
- Galaxy 306 Hazardous-Duty Area Light 116
- Galaxy 307 Hose Mountable Blast Light 117-118
- Flood Light Bulbs 118

Section 8: Protective Clothing

- ▶ **Protective Clothing Index** 119
- Ultralite & Leather Blast Suits 120
- Blasting Gloves & Paint Socks 120
- Sizing Chart 121
- Disposable Protective Clothing 121
- Tyvek® Disposable Protective Clothing 122
- Saranex® Disposable Protective Clothing 122
- Footwear Covers 122

Section 9: Pipe Cleaning Equipment

- ▶ **Pipe Cleaning Equipment Index** 123
- Hollo-Blast Jr. 124
- Hollo-Blast 125
- Hollo-Blast Centering Carriage 126
- Spin-Blast Tool 127-128
- Spin-Blast Tool Centering Carriage 129



experience,
trust, service

Your Single Source for Abrasives, Blasting and Painting Supplies.

- ▶ Largest Inventory in North America
- ▶ 99% of In-stock Orders Ship the Same Day
- ▶ Quality Products
- ▶ Knowledgeable Sales Staff
- ▶ Competitive Pricing
- ▶ Accurate Invoicing
- ▶ Friendly Return Policy

Let Marco®
Work for You!

For more information call:

800-BLAST-IT

Phone: 800-252-7848

Fax: 563-324-6258

e-mail: sales@marcouisa.com

www.marcouisa.com

A B R A S I V E S

- Steel Shot
- Steel Grit
- Coal Slag
- Starblast®
- Garnet
- Glass Bead
- Aluminum Oxide
- Virgin & Recycled
- Blastox®
- PREVENT Dust Suppressant
- Corn Cob & Walnut Shells

B L A S T I N G

BLAST MACHINES

- .15, .35, 1.5, 3, & 6 cu/ft Portable Blast Machines
- .15, .35, 1.5, 3, & 6 cu/ft Blast Machine Packages
- Moisture Separators
- Lids & Screens

BLAST HOSE

- Premium 4 Ply Hose with 5/16" inner core
- Premium SuperFlex Hose
- Whip Check Safety Cables
- * Custom Coupling & Nozzle Holder Installation Available.

METERING VALVES

- Bantam Valve
- Regulator Valve
- Maxum Valve
- Gladiator MV100 Valve
- Integrator Series Mixing Valves

REMOTE CONTROL SYSTEMS & HANDLES

- KwikFire 125 Pneumatic System
- GateKeeper Air Valve
- Tandem Valve
- Viper PV 400 Valve
- Electric Remote Control Box
- KwikFire-Pneumatic & Electric Remote Control Handles
- KwikFire Kwik-Change
- Service Kits

NOZZLES

- Brass Poly
- Blaze
- All Poly
- Flanged
- Double Venturi
- Silver Tip
- Short Venturi
- Angle (45°) 1 and 3 Outlet
- SuperSonic AT
- Water Ring
- Water Injection Nozzle
- Quick Coupling Nozzle Holders
- Pressure Gauges & Needles
- Nozzle Washers

COUPLINGS & NOZZLE HOLDERS

- Aluminum
- Brass
- Nylon
- Quick Coupling Nozzle Holders
- Nozzle Washers
- Coupling Screws & Safety Clips
- Whip Check Safety Cables
- Gaskets
- * Custom Coupling & Nozzle Holder Installation Available.

RESPIRATORS & CLIMATE CONTROL

- Bullard®
 - 88 VX Series
 - MB30 Media Blast
 - CC20 Series
 - Lancer™ Airline Respirator
 - Spectrum™ Full-Face Mask
 - FAMB Half Mask
 - GR50 Grinding Respirator
 - Cool Tubes
 - Hot/Cold Tubes
 - DUAL-COOL™ Vest
 - Isotherm Cooling Vest
- Clemco®
 - Apollo 60
 - Apollo 20
 - Cool Tubes
 - Hot/Cold Tubes
- MSA®
 - Abrasi Blast
 - 1/2 Mask
 - Filter Cartridges

RESPIRATOR ACCESSORIES

- Lenses
- Capes
- Breathing Line 3/8" & 1/2"
- Replacement Hood Parts
- HEPA Filters (GSA)

BREATHING SYSTEMS

- Carbon Monoxide Monitors
- Ambient Air Pumps
- Airline Filters
- Filter Cartridges
- Service Kits
- Respiratory Protector
- Calibration Kits
- Replacement Filter Kit
- AC and DC Cords
- Strobe and Alarm
- Prefilters

VACUUM & AIR HOSE

- Vacuum Hose (2" - 8")
- Air Hose (3/4" - 3")
- Twinline Remote Hose
- Hose Menders
- Whip Check Safety Cables
- Gaskets

AIR HOSE FITTINGS & CLAMPS

- Hose End
- Swivel
- Male End
- Hammer Lock
- Boss Clamps
- Gaskets

DUCTING HOSE & ACCESSORIES

- Ducting Hose (6" - 24")
- Connectors & Clamps
- Dust Collector Filter Cartridges
- Dust Socks

LIGHTING

- Hose-Mountable
- Area Lights
- Hazardous Duty
- Bulbs & Lenses
- Power Cords
- Cord Connectors & Plugs

PROTECTIVE CLOTHING

- Ultralite Blast Suits
- Leather Blast Suits
- Leather Blast Gloves
- Rubber Coated Blast Gloves
- Lakeland®
 - Disposable Tyvek® Paint Suits
 - Disposable Paint Suits
 - Disposable Boot & Shoe Covers
- Bullard® Hard Hats
- Paint Socks

POWER TOOLS

- Needle Guns
- Recoilless Needle Guns
- Sanders
- Spindle Tools
- Rotary Peening Tools
- Hazardous Vacuums
- HEPA Vacuums
- Replacement Needles
- Cutter Hubs & Flaps

PIPE CLEANING EQUIPMENT

- Clemco®
 - Hollo-Blast Jr.
 - Hollo-Blast
 - Spin-Blast
 - Spin-Blast Nozzles
- Carriages
- Replacement Parts

P A I N T I N G

BRUSHES & ROLLERS

- Wooster®
 - Standard & Angled Brushes
 - Roller Covers & Frames
 - Roller Screens
 - Extension Poles
 - Scrapers & Wire Brushes
- Paint Socks

AIRLESS PAINTING SUPPLIES

- High Pressure Airless Hose, 3300psi up to 10,000! (1/4", 3/8", 1/2", 3/4")
- Airless Paint Guns
 - Graco®
 - Silver Plus™ Gun
 - Contractor II Gun
 - Spray Tips
 - RAC 5 SwitchTip
 - Contractor Flat
 - Silver Flat
 - Fine Finish Flat
 - Guards
 - Accessories
 - Titan™
 - LX-80 Gun
 - SGX-20 Gun
 - Wagner®
 - G-10 Guns
 - Replacement parts
 - Accessories
- Airless Sprayers
- Speeflo® Spray Pumps
 - Admiral Pump
 - Commander Pump
- Gas & Electric Pumps
- Standard Repair Kits
- Xtreme Series Repair Kits
- Conventional Hoses
- Fluid Hoses

CONVENTIONAL PAINTING SUPPLIES

- Fluid & Air Hose Line, 300psi up to 750psi. (5/16", 3/8", 1/4", 1/2")
- Tanks
 - Binks - PT Tank
 - QMG - Galvanized & Stainless Steel
- Disposable Tank Liners
- Conventional Air Paint Guns
 - DeVilbiss - MBC 510 & JGA 510
 - Binks - Model 2001 & Model 95
 - CA Technology - LYNX
- Air Caps
- Fluid Tips & Needles
- Regulators
- Agitators
- Air Drying Filters
- Gauges & Valves



Section 9

Pipe Cleaning Equipment

- ▶ Hollo-Blast Jr.124
- ▶ Hollo-Blast125
- ▶ Hollo-Blast Centering Carriage126
- ▶ Spin-Blast Tool127-128
- ▶ Spin-Blast Tool Centering Carriage129

Hollo-Blast Jr.

Small tubing and pipe may be blast cleaned by using the Hollo-Blast Jr. Inner diameters from 3/4" to 2" fall within the scope of this tool. The basic design and operation is similar to the Hollo-Blast tool except that all of the parts are smaller. Tungsten carbide lined reducer attaches to blast hose threaded coupling and accepts a 3/8" pipe lance to convey air/abrasive mixture to Hollo-Blast Jr.

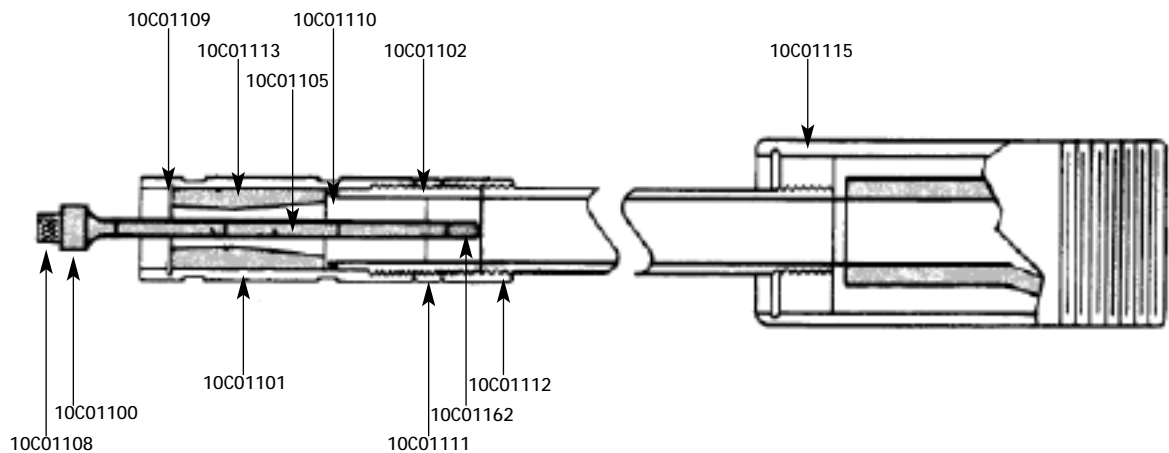
Features:

- tungsten deflection tip

Part #	Description
10C01098	Hollo-Blast Jr. with reducer & centering collars
10C01099	Hollo-Blast Jr. & centering collars without reducer

Replacement Parts

Part #	Description
10C01100	Deflection tip, carbide
10C01101	Body
10C01102	Stem support assembly - includes throat rod & tip assembly
10C01105	Stem sleeve, carbide
10C01108	Throat rod nut
10C01109	Retaining ring
10C01110	Nozzle gasket
10C01111	Knurled lock nut
10C01112	Coupling, 3/8" diameter
10C01113	Nozzle, 9/32" tungsten carbide
10C01114	Centering collar set (includes 10C01117, 10C01118, 10C01119 & 10C01120)
10C01115	Reducer
10C01117	Collar set for 1" I.D. pipe
10C01118	Collar set for 1-1/4" I.D. pipe
10C01119	Collar set for 1-1/2" I.D. pipe
10C01120	Collar set for 2" I.D. pipe
10C01162	Throat rod & tip assembly



SECTION 9

Hollo-Blast

The Hollo-Blast pipe cleaning tool is designed to blast clean small pipe ranging in size from 2" to 12" diameter. This tool, which has no moving parts, utilizes a built-in short venturi, tungsten carbide nozzle and tungsten carbide deflection tip to spray accelerated abrasive in a 360° blast pattern. Tungsten carbide deflection tip and stem support ensure long wear life.

With the help of Hollo-Blast centering devices, improved travel through piping can be quickly and easily adjusted for various pipe diameters.

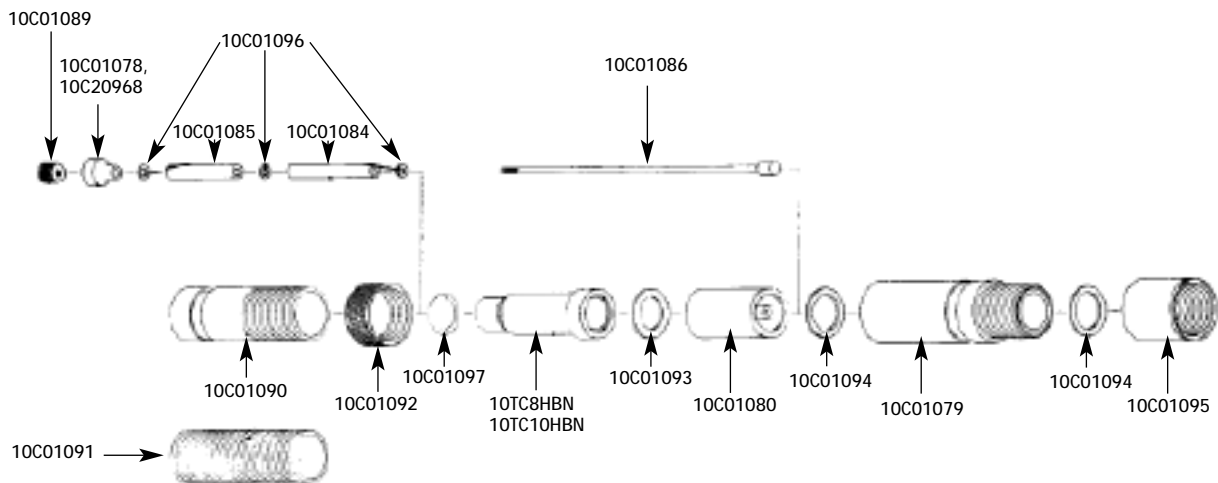
Features:

- 3" - 5" I.D. pipe - use collar and button
- 5" - 12" I.D. pipe - use centering carriage
- tungsten or boron carbide deflection tip

Part #	Description
10C01076	Hollo-Blast with 1/2" nozzle - does not include centering devices
10C08446	Hollo-Blast with 5/8" nozzle - does not include centering devices

Replacement Parts

Part #	Description
10TC8HBN	1/2" Hollo-Blast nozzle
10TC10HBN	5/8" Hollo-Blast nozzle
10C01079	Tool holder
10C01078	Deflection tip - tungsten carbide
10C20968	Deflection tip - boron carbide
10C01080	Stem support assembly - includes throat rod & tip
10C01084	Throat sleeve (long)
10C20969	Boron carbide throat sleeve (2)
10C01085	Stem extension sleeve (short)
10C01086	Throat rod & tip
10C01089	Tip holding nut
10C01090	Tip protection sleeve
10C01091	Threaded tip protection sleeve
10C01092	Knurled lock nut
10C01093	Stem support front gasket
10C01094	Stem support rear gasket
10C01096	Brass washer
10C01097	Buna-N O-ring
10C01095	1-7/8" x 1-7/16" coupling

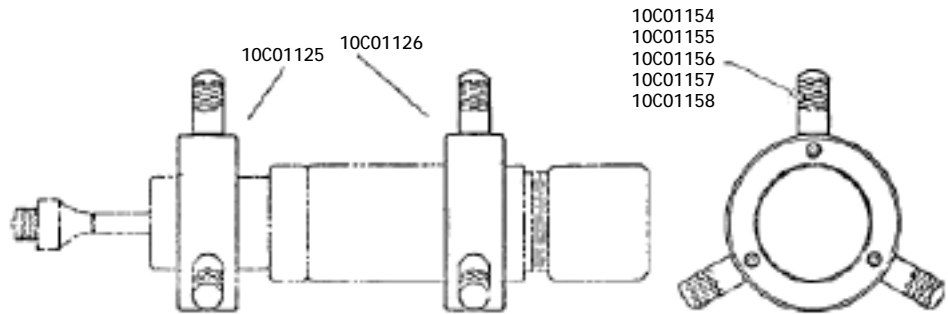


Hollo-Blast Centering Carriage

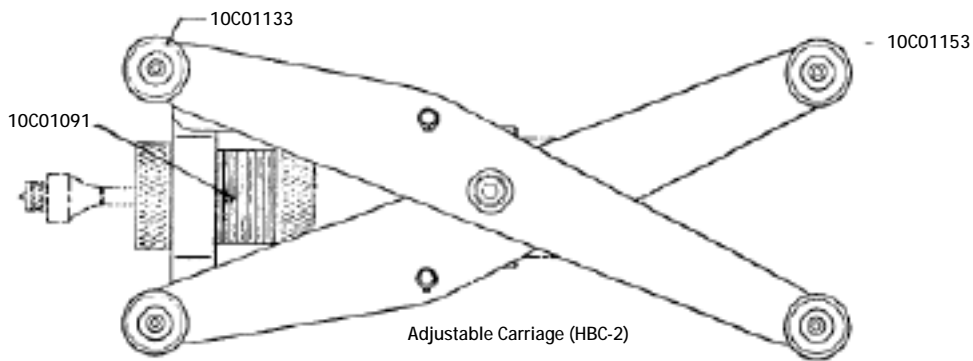
Part #	Description
10C01124	3"-5" I.D. centering carriage - includes collars & four button sets
10C01131	5"-12" I.D. centering carriage - includes threaded tip protector sleeve & adjusting nut

Replacement Parts

Part #	Description	
10C01125	Front collar, cad plate	
10C01126	Rear collar, cad plate	
10C01158	Button set (includes 10C01154, 10C01155, 10C01156 & 10C01157)	
10C01154	5/16" long button set	for 3-1/2" pipe
10C01155	9/16" long button set	for 4" pipe
10C01156	13/16" long button set	for 4-1/2" pipe
10C01157	1-1/16" long button set	for 5" pipe
10C01133	Wheel bushing with washer	
10C01153	1-1/8" diameter steel wheel	
10C01166	Spacer for carriage	
10C03124	Screw for carriage wheel	



Collar & Button Centering Device (HBC-1)



Adjustable Carriage (HBC-2)



Spin-Blast Tool

Features:

- for use with 8" - 36" I.D. pipe
- small carriage for 8" - 17" I.D. pipe
- large carriage for 12" - 36" I.D. pipe
- large Spin-Blast tool available for 36" - 60" I.D. pipe

Pipe I.D.	Nozzle Size & P/N	Carriage Required	CFM Required
8" - 12"	1/4" orifice x 1-3/4" long	Small (P/N 10C03641)	250
12" - 20"	5/16" orifice x 3" long	Large (P/N 10C04971)	365
24" - 36"	3/8" orifice x 4" long	Large (P/N 10C04971)	600
The Following requires use of optional 1-1/4" nozzle head.			
40" - 60"	1/4" orifice	Large (P/N 10C10560)	250
40" - 60"	5/16" orifice	Large (P/N 10C10560)	365
40" - 60"	3/8" orifice	Large (P/N 10C10560)	600

Note: For carriage to cover range from 40"– 60" order 10C04971 Carriage Set and 10C10589 36" Leg Set.

Part #	Description
10C02601	Small Spin-Blast unit for pipe 8"-36" I.D.; includes two #4 x 1-3/4" long nozzles (10AT4), no carriage
10C10547	Large Spin-Blast unit for pipe 36"-60" I.D.; no carriage or nozzles
10C02603	Spare Parts Kit for small Spin-Blast unit. Includes: • (4) 1014015 • (1) 10C02604 • (1) 10C02608 • (1) 10C02609 • (2) 10C02611 • (2) 10C02610 • (1) 10C02613 • (30) 10C02614 • (2) 10C02616 • (1) 10C02617
10C10894	Spare Parts Kit for large Spin-Blast unit. Includes: • (4) 10C01791 • (1) 10C10546 • (1) 10C02608 • (1) 10C02609 • (2) 10C02611 • (2) 10C02610 • (1) 10C02613 • (30) 10C02614 • (2) 10C02616 • (1) 10C02617
1011901	Standard pipe plug, 1"
10C02604	Rotating nozzle head
10C02606	Brake housing

Part #	Material	Orifice	Length
Nozzles for use with small Spin-Blast (1/2" entry, 3/4" threads)			
10AT4	TC	1/4"	2-1/4"
10AT5	TC	5/16"	2-1/4"
10AT6	TC	3/8"	2-1/4"
10TC5SBL	TC	5/16"	3"
10TC6SBL	TC	3/8"	4"

Nozzles for use with large Spin-Blast

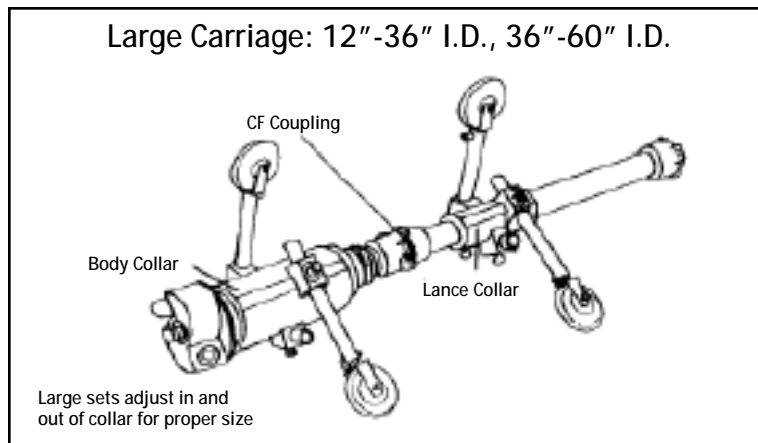
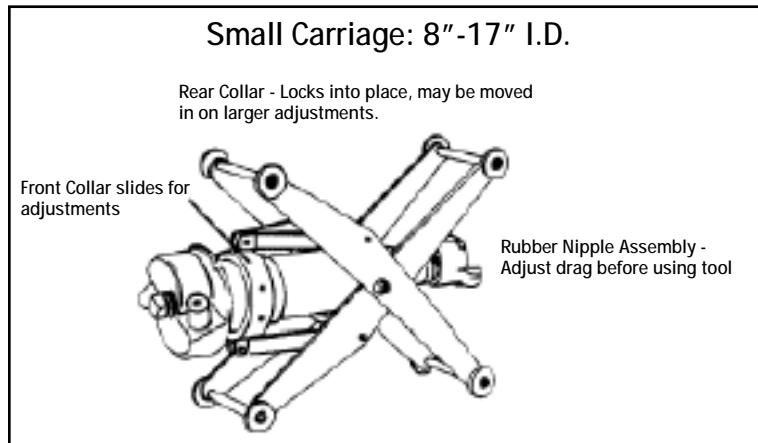
10C10546	Nozzle head, large diameter for 1-1/4" nozzle		
10SN4UN	Silicon	1/4"	5-1/2"
10SN5UN	Silicon	5/16"	6"
10SN6UN	Silicon	3/8"	7"

Spin-Blast Tool Centering Carriage

Part #	Description
Small Adjustable Centering Carriage and Parts	
10C03641	8-17" I.D. small centering carriage
10C03636	Wheel
Large Adjustable Centering Carriage and Parts	
10C04971	12-36" I.D. large centering carriage
10C10560	36-60" I.D. large centering carriage

Replacement Parts

Part #	Description
10C04937	Front (body collar)
10C04938	Rear (lance collar)
10C04899	3" wheel set (6/each) with clevis pin
10C04898	3" wheel set (1/each) with clevis pin
10C04897	Clevis pin with cotter pin
10C04896	Short leg set (6/each - 4" long) for 12-14" I.D. pipe
10C04895	Medium leg set (6/each - 8" long) for 14-20" I.D. pipe
10C04894	Long leg set (6/each - 17" long) for 24-36" I.D. pipe





experience,
trust, service

**BLASTING
EQUIPMENT**

Marco® 286 Series Airline Filters*

- ▶ Largest Inventory in North America
- ▶ 99% of In-stock Orders Ship the Same Day
- ▶ Quality Products
- ▶ Knowledgeable Sales Staff
- ▶ Competitive Pricing
- ▶ Accurate Invoicing
- ▶ Friendly Return Policy

Let Marco®
Work for You!

THE NEW DESIGN & GREAT FEATURES FROM MARCO ARE A BREATH OF FRESH AIR

The NEW Marco® 286 Airline Filters remove moisture, oil mist, particulates and odors from air supply lines when they are used with other compressed air precautions. Configure them to provide clean air to supplied-air respirators or pneumatic tools and systems. Stable, durable, and easy to use and maintain, Marco stands behind these airline filters as the best in the industry.

286 Airline Filter Features:

- | | | | |
|-----------------------------------------------------------------------------------------------------------------------------------------------------------------------------------------------------|-----------------------------------------------------------------------------------------------------------------------|-----------------------------------------------------------------------------------------------------------------------------|-------------------------------------------------------------------------------------------------------------------------------------------------------------------------------------|
| <p>Durability</p> <ul style="list-style-type: none"> • 1 1/16" Dia. steel bar legs hold up in the most severe conditions • powder coat finish to resist the elements | <p>Stability</p> <ul style="list-style-type: none"> • anti-tip ring base for improved stability | <p>Mounting</p> <ul style="list-style-type: none"> • bolt holes in base ring allows for easy mounting | <p>Maintenance</p> <ul style="list-style-type: none"> • off-set petcock placement for easy access • accepts filter cartridges with an 8 bolt pattern |
|-----------------------------------------------------------------------------------------------------------------------------------------------------------------------------------------------------|-----------------------------------------------------------------------------------------------------------------------|-----------------------------------------------------------------------------------------------------------------------------|-------------------------------------------------------------------------------------------------------------------------------------------------------------------------------------|



2-Outlet Airline Filter



6-Outlet Airline Filter



Base Unit - Airline Filter

* These units DO NOT remove Carbon Monoxide.

* **WARNING:** Breathing dust from silica sand causes silicosis, a fatal lung disease. Breathing dust during blasting operations may also cause asbestosis and/or other serious or fatal diseases. A NIOSH approved, well-maintained air-supplied respirator should be used by anyone blasting, anyone handling or using the abrasive and anyone in the area of the dust. Harmful dust can remain suspended in the air for long periods of time after the blasting has ceased causing death or serious injury.

* **REQUIREMENTS FOR OPERATION:** Grade D quality breathing-air at minimum pressure required by respirator and maximum pressure of 125psi. (See the Compressed Gas Association Commodity Specification; G-71.) Abrasive blasting or painting operators must wear NIOSH approved supplied-air respirators (Ref: OSHA Regulations 29CFR 1910.134).



MARCO LOGISTIC SERVICES DELIVER

▼ Utilize Marco's Logistic Services for pickup & delivery!

Freight can often be 30-80% of landed abrasive costs. At Marco, we have partnered with thousands of carriers nationwide to make logistic services easier for you.

BENEFITS OF USING MARCO LOGISTIC SERVICES

- Time Saving - one call for product & freight
- Cost Savings - Marco's buying power
- Quicker Turnaround - we work with your schedule
- Experience - Marco knows Logistic Services
- We Take Care of You - from our dock to your door

Save time and money by choosing the experts at Marco Logistics!

For more information call:

800-BLAST-IT

Phone: 800-252-7848

Fax: 563-324-6258

e-mail: sales@marcouisa.com

www.marcouisa.com

Davenport, IA • Houston, TX • Dallas, TX • Savannah, GA • Harrisburg, PA • New Orleans, LA



experience,
trust, service

**BLASTING
EQUIPMENT**

Bullard® MB30 Series Airline Respirator

- ▶ Largest Inventory in North America
- ▶ 99% of In-stock Orders Ship the Same Day
- ▶ Quality Products
- ▶ Knowledgeable Sales Staff
- ▶ Competitive Pricing
- ▶ Accurate Invoicing
- ▶ Friendly Return Policy

Let Marco®
Work for You!

IMPROVED PRODUCTIVITY FOR ABRASIVE BLASTING & PAINTING

The Bullard® MB30* airline respirator is designed for light to medium duty abrasive blasting and painting applications in well ventilated areas. The lightweight MB30 provides excellent respiratory protection in general purpose applications such as: painting, glass etching, monument blasting, automotive and aircraft body repair, architectural, furniture and ornamental paint removal.



MB30 Features:

Comfortable Fit

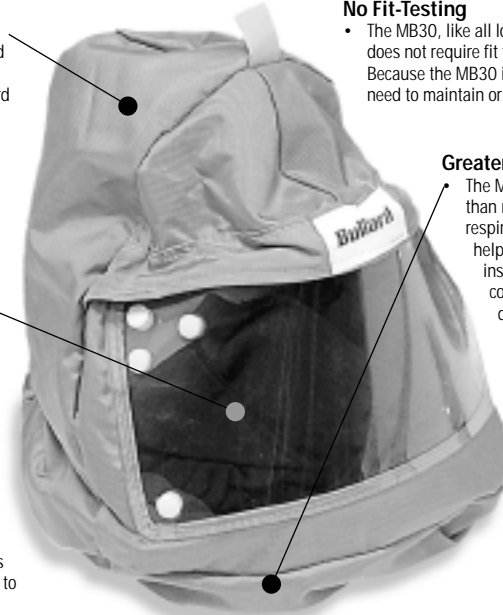
- A snug, comfortable fit is ensured when you choose either the 20TG self-sizing headband or the 20RT Sure-Lock® ratchet suspension headband. Both suspensions come standard with a Sportek™ brow pad, an advanced synthetic material that provides exceptional comfort. With the hood weighing less than 21 ounces, the MB30 greatly reduces operator fatigue. Easily accommodates beards, prescription eyewear or safety glasses.

Maximum Visibility

- The wide-angle faceshield and headband suspension system are positioned for maximum visibility. Replaceable outer lens offers additional protection from paint spray or blast rebound.

Adjustable Airflow & Optional Climate Control

- An optional airflow control knob on the MB30 is conveniently located at belt level and allows workers to adjust the incoming airflow. Optional climate control assemblies permit workers to warm or cool incoming air to maximize their comfort and productivity.



No Fit-Testing

- The MB30, like all loose-fitting, hood-style respirators, does not require fit testing and elaborate record keeping. Because the MB30 is an airline respirator, there is no need to maintain or buy expensive filter cartridges.

Greater Protection

- The MB30 provides greater protection than negative-pressure, air-purifying respirators. The inflatable neck cuff helps maintain positive pressure inside the hood and helps keep contaminants out. The cape is designed to protect the workers body from abrasive rebound. Where head protection is required, the MB30 can accommodate a Bullard hard hat.



MB30 Configurations:

 <p>P/N 10BMB3030</p> <p>MB30 Respirator w/F30B Constant Flow – for use with High Pressure</p>	 <p>P/N 10BMB3035</p> <p>MB30 Respirator w/F35B Constant Flow – for use with Ambient Air Pump</p>	 <p>P/N 10BMB3040</p> <p>MB30 Respirator w/F40B Adjustable Flow – for use with High Pressure</p>
-----------------------------------------------------------------------------------------------------------------------------------------------------------------------------------------------------	---------------------------------------------------------------------------------------------------------------------------------------------------------------------------------------------------------	---------------------------------------------------------------------------------------------------------------------------------------------------------------------------------------------------------

* **WARNING:** Breathing dust from silica sand causes silicosis, a fatal lung disease. Breathing dust during blasting operations may also cause asbestosis and/or other serious or fatal diseases. A NIOSH approved, well-maintained air-supplied respirator should be used by anyone handling or using the abrasive and anyone in the area of the dust. Harmful dust can remain suspended in the air for long periods of time after the blasting has ceased causing death and serious injury.

* **WARNING:** MB30 airline respirators are approved by MSHA/NIOSH (TC-19C-314 Type C and CE). Bullard has determined that these respirators may be used to provide respiratory protection in general purpose applications such as painting, glass etching, monument blasting, automotive and aircraft body repair, architectural paint removal, furniture and ornamental paint removal.

The materials from which the MB30 airline respirator is constructed are not durable enough to withstand repeated exposures to abrasive blasting. Repeated use for abrasive blasting and/or use in industrial or heavy blasting operations may tear holes in the material which could allow the intrusion of contaminants and/or toxic substances. If this MB30 respirator is used for abrasive blasting, it should only be used for occasional, light duty, outside blasting or for abrasive operations where the blaster is physically separated from the blasting nozzle.

For more information call:

800-BLAST-IT

Phone: 800-252-7848

Fax: 563-324-6258

e-mail: sales@marcouisa.com

www.marcouisa.com

Davenport, IA • Houston, TX • Dallas, TX • Savannah, GA • Harrisburg, PA • New Orleans, LA

At Marco we continually strive to stock the products and brands you desire. With thousands of parts in stock and 3 Distribution Centers in the United States, Marco can supply you with the products you demand.

ORDERING

Phone: **800-BLAST-IT** (800-252-7848)
In Canada: 800-225-0225

Fax: **563-324-6258**
24 hours a day

Web: www.marcousa.com
E-mail: sales@marcousa.com

SHIPPING

Same Day Shipping:

In-stock equipment ordered by 5:00 p.m. CST will ship same-day via **UPS**.

Freight Shipments:

In-stock materials ordered by 2:00 p.m. CST will ship via **LTL**.

Express Service:

By request, orders can be delivered via **UPS** 3-day Select, 2-day Air, Overnight and Overnight Saturday.

QUESTIONS

If you have any questions or comments, please contact your **Marco Account Manager** at **800-252-7848**.

RETURNS

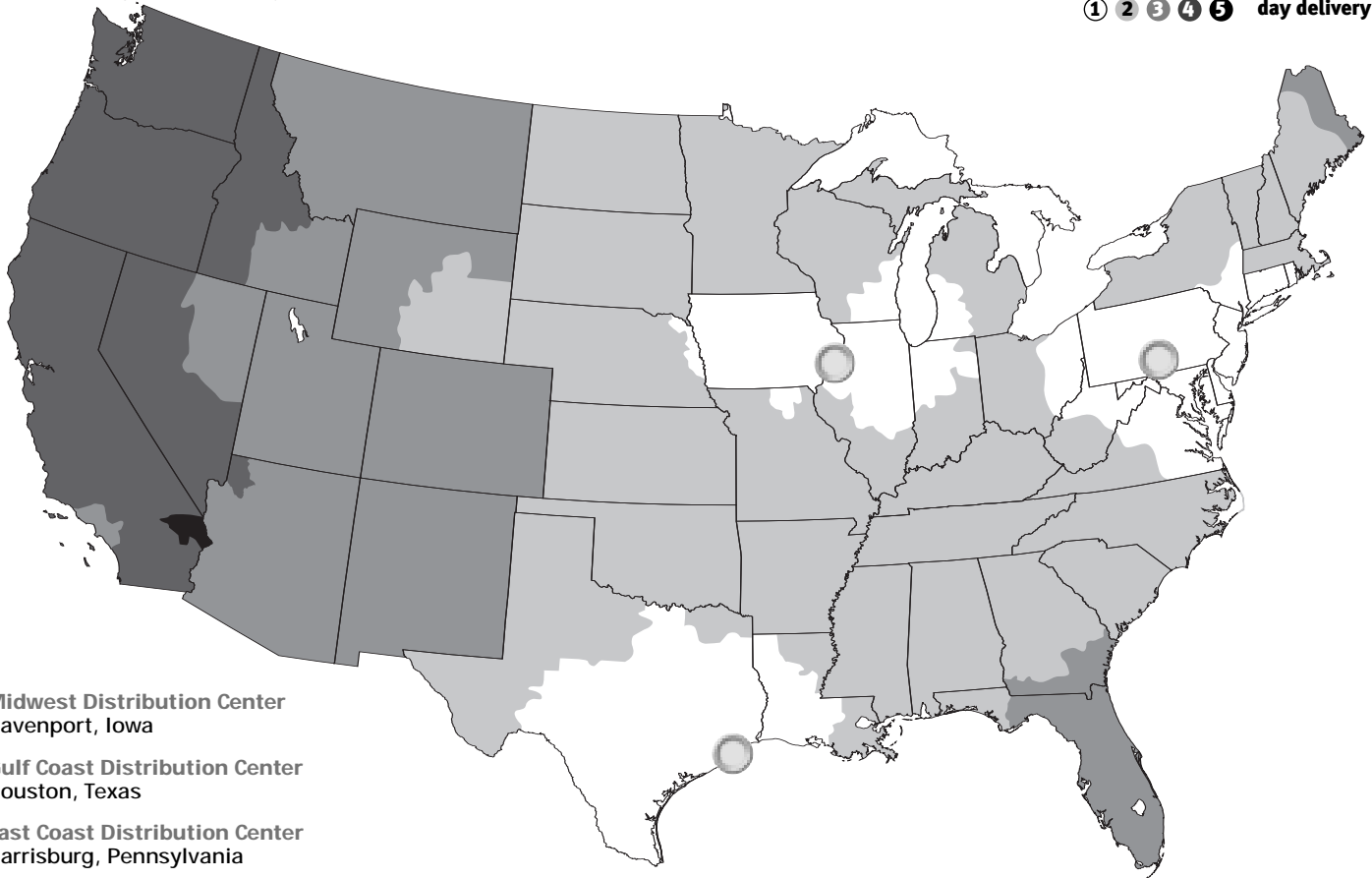
All returned goods require a **Customer Authorization Return (CAR) Form**.

For immediate assistance regarding the **CAR Form** please call **800-252-7848** to speak with a **Marco Representative**.

UPS Guaranteed Delivery

All deliveries are subject to stock availability.

① ② ③ ④ ⑤ day delivery



Midwest Distribution Center
Davenport, Iowa

Gulf Coast Distribution Center
Houston, Texas

East Coast Distribution Center
Harrisburg, Pennsylvania

C A L L 1 - 8 0 0 - B L A S T - I T